

HSF RoHS

REV	ECN NO	DESCRIPTION	DATE	NAME
A		NEW		

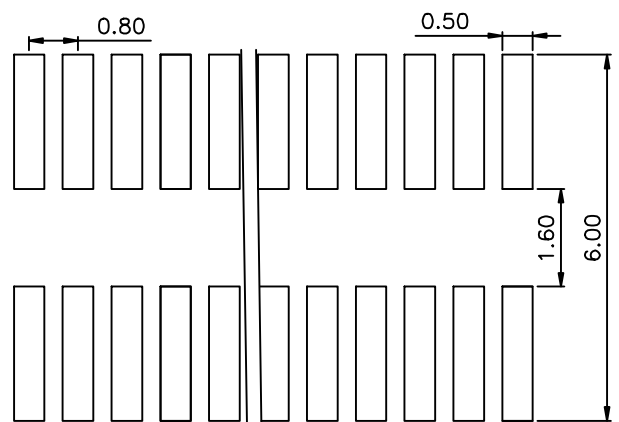
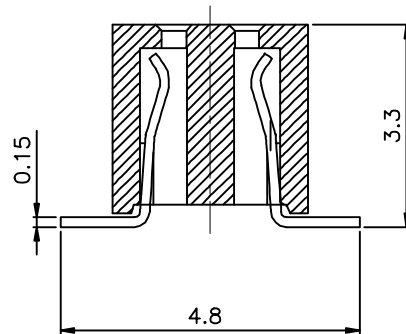
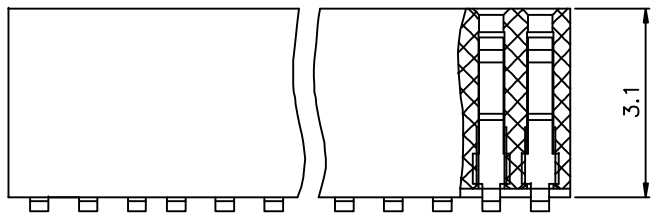
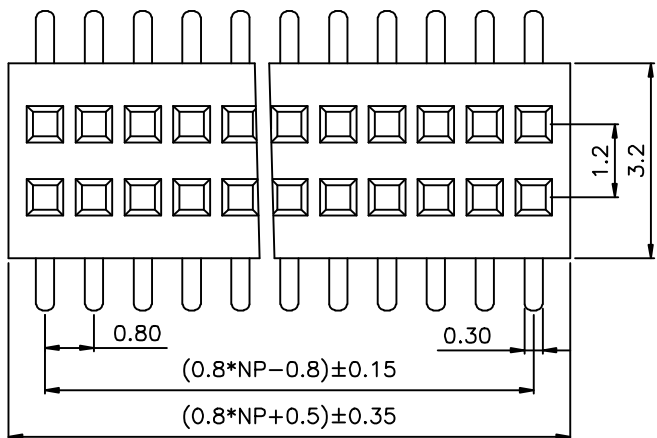
Specifications

- 1.Current Rating:0.75Amps
- 2.Contact Resistance: 20mΩ
- 3.Insulator Resistance:1000 Megohms min.
- 4.Dielectric withstanding Voltage: AC/DC 500V
- 5.Operating Temperature:-40℃ to+105℃
- 6.Contact Material: phosphor Bronze
- 7.Insulator Material:Asfollows
- 8.Plated: Asfollows

Ordering Information

L300 XX -XX 2 X X XX X

Insulation Height*Wide (H*W) Option:	NO. of Pins Per Row: 1-50P	Insulation Material Option:	Contact Plating	Serial NO. 01-69 (No pillars) 70-89 (pillars) 90-99 (outside pillars)	Packing A=PE Bag B=Tube C=Tray D=Reel
10=1.0*2.3		1=PBT	0=0.8" Gold		
15=1.5*2.3		2=PPS	1=Au1" Gold		
15=1.5*3.2		3=NY6T	2=Au1.5" Gold		
		4=LCP	3=Au2" Gold		
		5=NY66	4=Au3" Gold		
		6=Customized	5=Au5" Gold		
		7=NY46	6=Customized		
		8=NY9T	7=Gold/Tin		
			8=Tin		



PCB LAYOUT

STANDARD TOLERANCE (EXCEPT SPECIFIED)			
LINER		ANGLES	
.0	±0.30	0.°	±3°
.00	±0.20	.0°	±2°
.000	±0.10	.00°	±1°

LDCONN 东莞连大精密制品有限公司 DongGuan LianDa Precision Products Co., LTD									
TITLE		PH0.8mm H3.1mm 2XNP SMT Dual row Female Header		DRAWN BY		Lujunhui		18.03.30	
PART NO		L300XX-XX2XXXXX		CHECKED BY					
DRAWING NO				APPROVED BY					
SCALE	1:1	UNIT	mm	PAGE	1/1	SIZE	A4		