

# HSF RoHS

REV	ECN NO	DESCRIPTION	DATE	NAME
A		NEW		

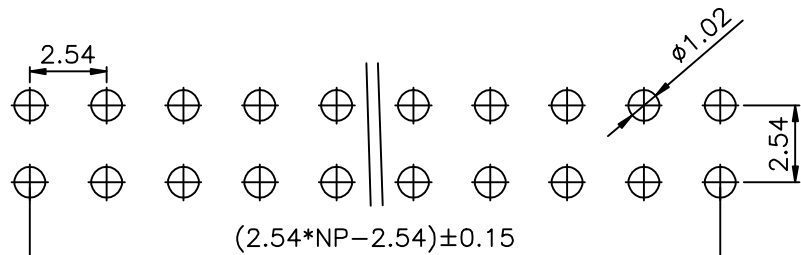
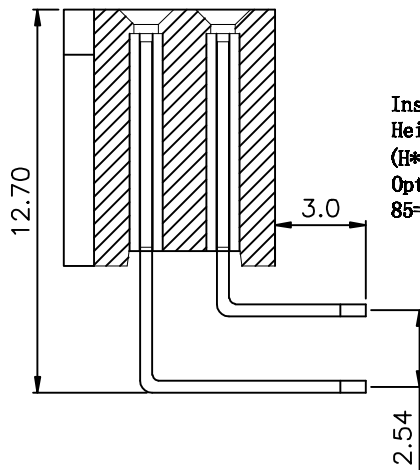
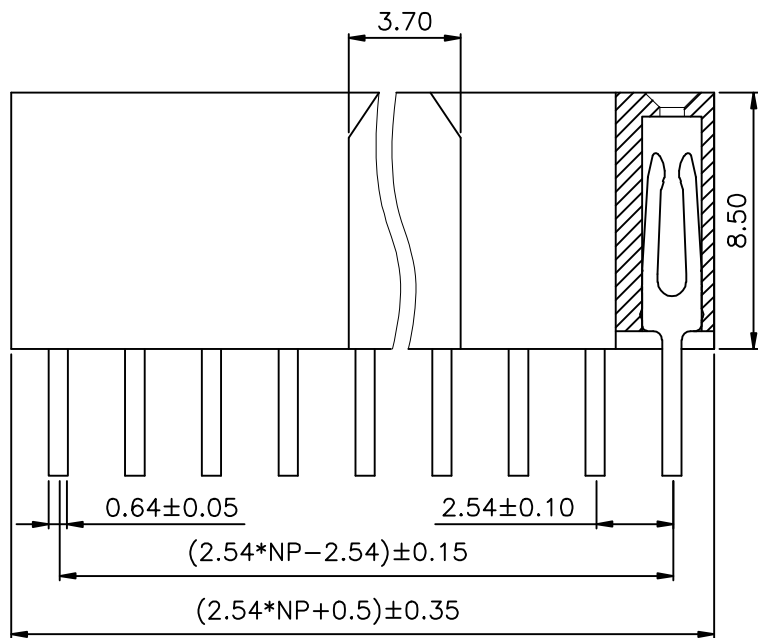
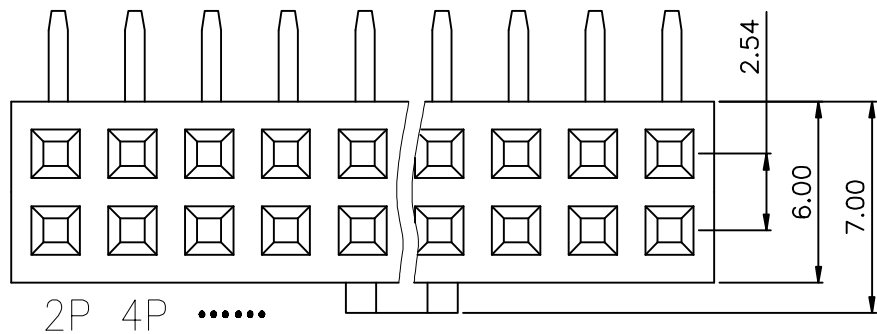
### Specifications

1. Current Rating: 3Amps
2. Contact Resistance: 20mΩ
3. Insulator Resistance: 1000 Megohms min.
4. Dielectric withstanding Voltage: AC/DC 1000V
5. Operating Temperature: -40℃ to +105℃
6. Contact Material: Copper alloy
7. Insulator Material: As follows
8. Plated: As follows

### Ordering Information

L308 XX -XX 1 X X XX X

Insulation Height*Wide (H*W) Option: 85=8.5*6.0	NO. of Pins Per Row: 1-40P	Insulation Material Option: 1=PBT 2=PPS 3=NY6T 4=LCP 5=NY66 6=Customized 7=NY46 8=NY9T	Contact Plating 0=0.8" Gold 1=Au1" Gold 2=Au1.5" Gold 3=Au2" Gold 4=Au3" Gold 5=Au5" Gold 6=Customized 7=Gold/Tin 8=Tin	Serial NO. 01-69 (No pillars) 70-89 (pillars) 90-99 (outside pillars)	Packing A=PE Bag B=Tube C=Tray D=Reel
---	-------------------------------	---	--	--	---



STANDARD TOLERANCE (EXCEPT SPECIFIED)			
LINER		ANGLES	
.0	±0.30	0.°	±3°
.00	±0.20	.0°	±2°
.000	±0.10	.00°	±1°

LDCONN 东莞连大精密制品有限公司 DongGuan LianDa Precision Products Co., LTD									
TITLE		PH2.54mm 2XNP 90° Dual row Female Header Y Type With embossment		DRAWN BY		Lujunhui		18.04.03	
PART NO		L308XX-XX1XXXXX		CHECKED BY					
DRAWING NO				APPROVED BY					
SCALE	1:1	UNIT	mm	PAGE	1/1	SIZE	A4		