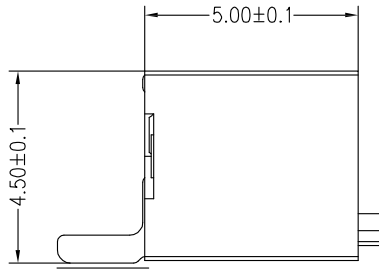
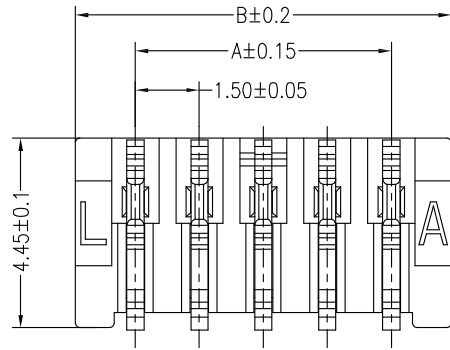
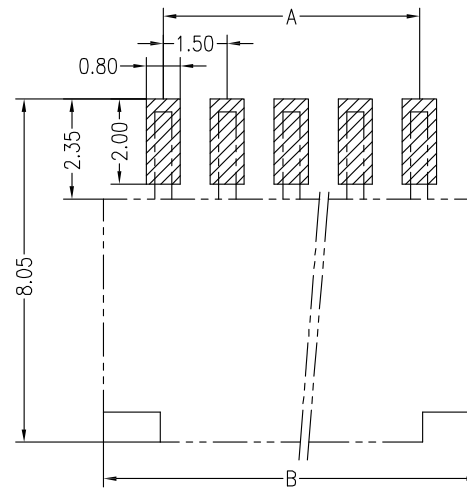


REV	ECN NO	DESCRIPTION	DATE	NAME
A	—	NEW	11/22-'19	HYJ

PCB LAYOUT



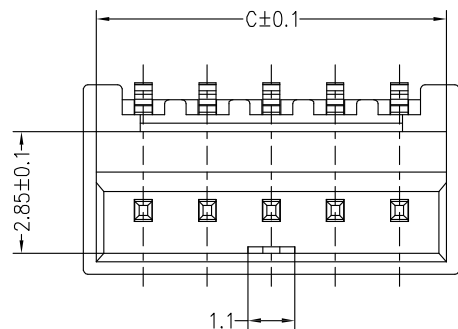
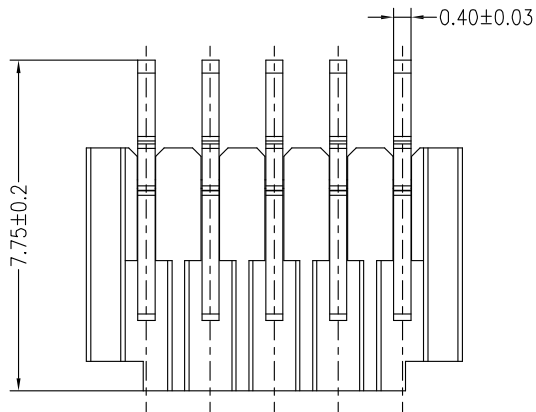
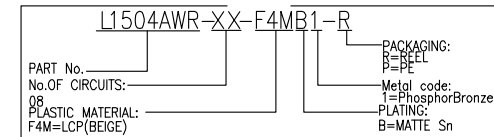
0.1



Main Specifications

- Poles : 02 to 15
- Contact resistance: $\leq 20\text{m}\Omega$
- Insulation resistance: $\geq 500\text{M}\Omega$
- Rated voltage : 350V AC DC
- Rated current: 3.0A AC DC
- Withstand Voltage : 500V AC/minute
- Temperature Range : $-25^\circ\text{C} \sim +85^\circ\text{C}$

ORDER INFORMATION:



PIN.	DIM A	DIM B	DIM C
2pin	1.50	4.30	3.70
3pin	3.00	5.80	5.20
4pin	4.50	7.30	6.70
5pin	6.00	8.80	8.20
6pin	7.50	10.30	9.70
7pin	9.00	11.80	11.20
8pin	10.50	13.30	12.70
9pin	12.00	14.80	14.20
10pin	13.50	16.30	15.70
11pin	15.00	17.80	17.20
12pin	16.50	19.30	18.70
13pin	18.00	20.80	20.20
14pin	19.50	22.30	21.70
15pin	21.00	23.80	23.20

TOLERANCE UNLESS OTHERWISE SPECIFIED	
LINER	ANGLES
.0 ±0.30	0.° ±3°
.00 ±0.20	.0° ±2°
.000 ±0.10	.00° ±1°

B	CONTACT	2~15 PCS	PhosphorBronze	MATTE Sn-plated
A	HOUSING	1 PCS	LCP	UL 94V-0, COLOR:BEIGE
ITEM	COMPONENT	Q'TY	MATERIAL	FINISH

LDCONN 东莞连大精密制品有限公司
 DongGuan LianDa Precision Products Co., LTD

TITLE	1.5mm PITCH 180° WAFER SMT TYPE	DRAWN BY	HYJ	11/22-'19
PART NO.	L1504AWR-XX-F4MB1-R	CHECKED BY		
DRAWING NO.		APPROVED BY		
SCALE	1:1	UNIT	mm	PAGE 1/1
				SIZE A4