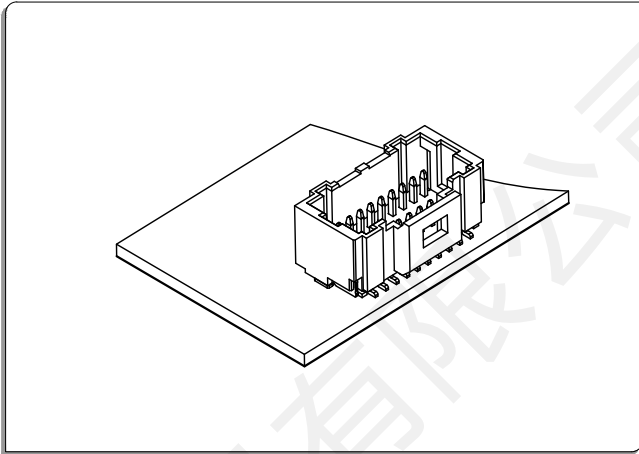


WB100B-3 (SHD) Connector 1.0mm Pitch

WTB
1.0

WB100B-3 (SHD) Connector 1.0mm Pitch

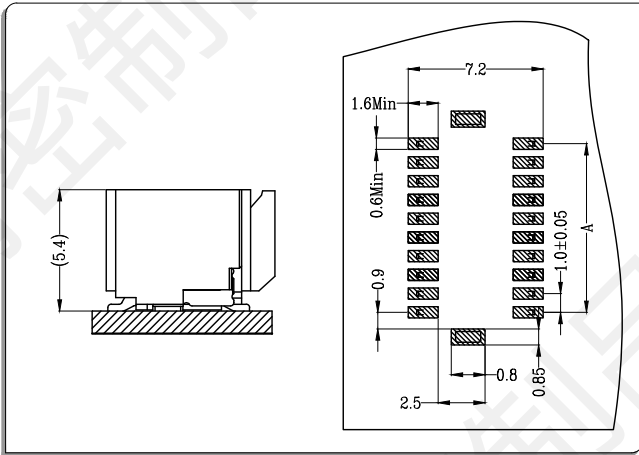


● 技术参数 SPECIFICATIONS

- 1、极数CKT: 2*10Pin to 2*25Pin
- 2、额定电流Current rating: 1A AC/DC
- 3、额定电压Voltage rating(max): 50V, AC/DC
- 4、工作温度Working Temperature: $-25^{\circ}\text{C} \sim +85^{\circ}\text{C}$,
(含通电温度上升值)
(Including temperature rise in applying electrical current)
- 5、接触电阻Contact resistance: 初始Initial value $\leq 20\text{m}\Omega$
环境测试后After environmental testing $\leq 40\text{m}\Omega$
- 6、绝缘电阻Insulation resistance: $\geq 100\text{M}\Omega$
- 7、耐电压Withstand voltage: 500VAC (rms)
- 8、适用基板厚度Applicable PC board thickness: 1.6mm to 2.0mm

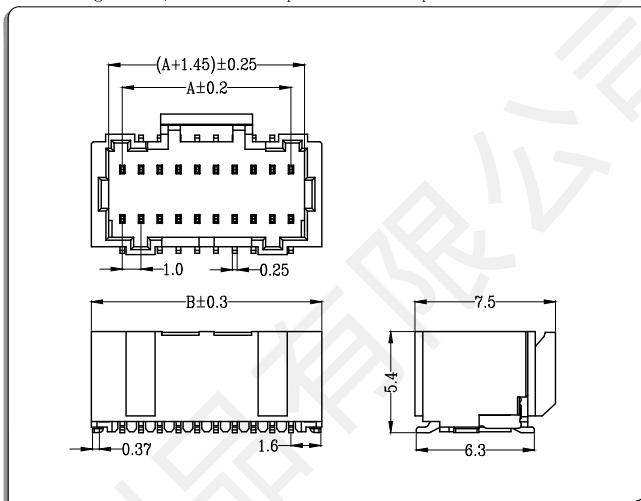
● 安装尺寸 Mounting Measurement

● 立式 Straight Angle



WB100B-3(SHD) Connector 1.0mm Pitch

- 针座 Wafer
- 材料与表面处理 Material and Finish:
Housing:LCP UL94V-0 & Terminal:phosphor bronze & Fitting:Brass; Finish: Tin-plated & Gold-plated



CKT	Part No	DIM A	DIM B
2*10	WB100BL-20	9.00	12.30
2*12	WB100BL-24	11.00	14.30
2*15	WB100BL-30	14.00	17.30
2*18	WB100BL-36	17.00	20.30
2*20	WB100BL-40	19.00	22.30
2*25	WB100BL-50	24.00	27.30

WTB
1.0

WB100B-3(SHD) Connector 1.0mm Pitch