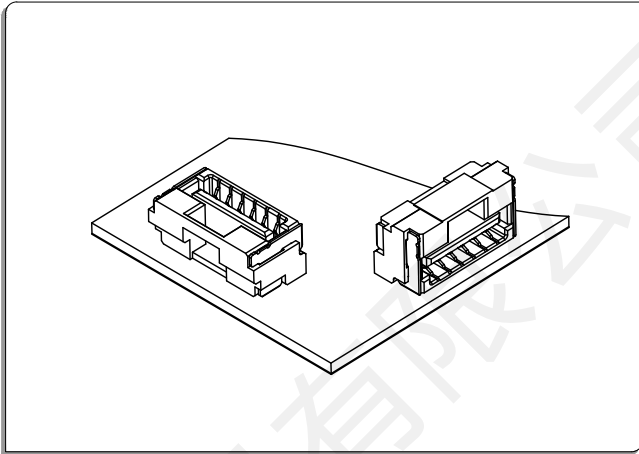


WT125C Connector 1.25mm Pitch

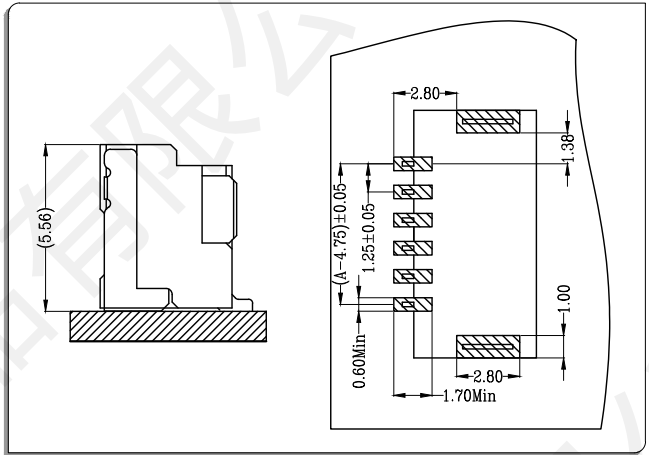
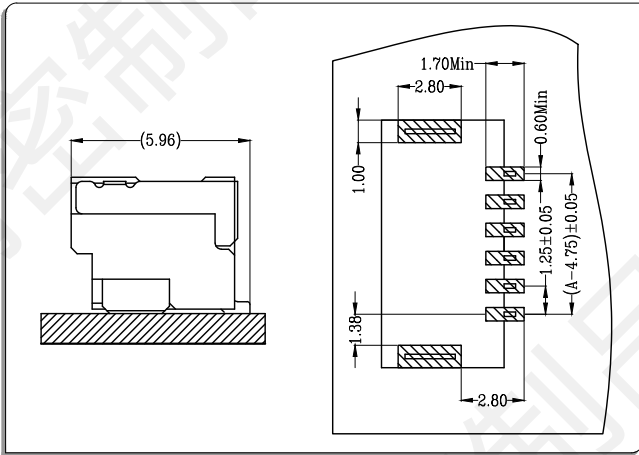
WTB
1.25

WT125C Connector 1.25mm Pitch



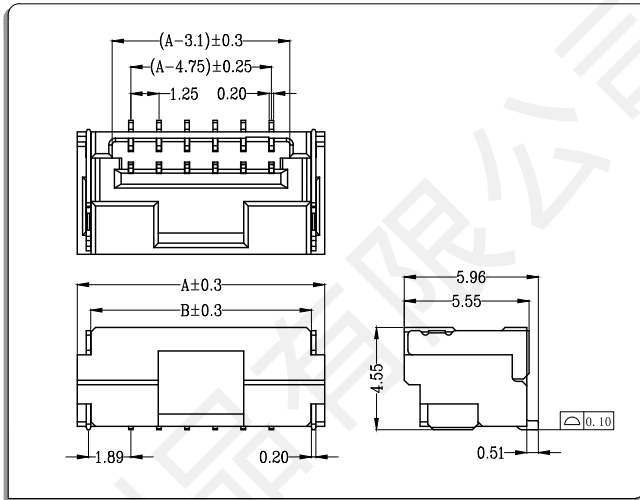
● 技术参数 SPECIFICATIONS

- 1、极数CKT: 2Pin to 15Pin
- 2、额定电流Current rating: 1A AC/DC
- 3、额定电压Voltage rating(max): 50V, AC/DC
- 4、工作温度Working Temperature: $-25^{\circ}\text{C} \sim +85^{\circ}\text{C}$,
(含通电温度上升值)
(Including temperature rise in applying electrical current)
- 5、接触电阻Contact resistance: 初始Initial value $\leq 20\text{m}\Omega$
环境测试后After environmental testing $\leq 40\text{m}\Omega$
- 6、绝缘电阻Insulation resistance: $\geq 100\text{M}\Omega$
- 7、耐电压Withstand voltage: 500VAC(rms)
- 8、适用基板厚度Applicable PC board thickness: 1.6mm to 2.0mm

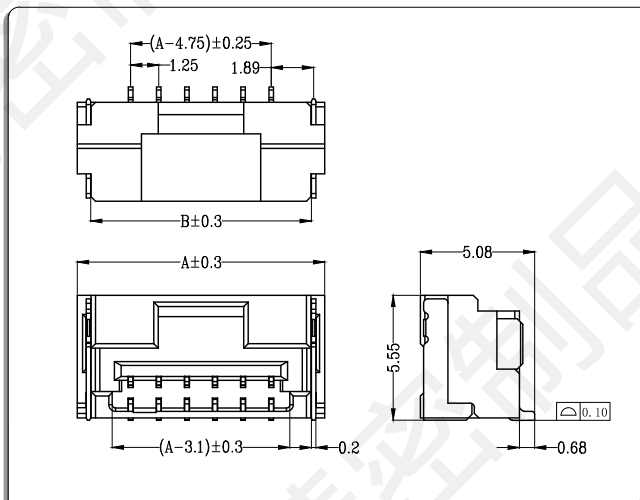


WT125C Connector 1.25mm Pitch

- 针座 Wafer
- 材料与表面处理 Material and Finish:
Housing:LCP UL94V-0 & Terminal:phosphor bronze & Fitting:Brass; Finish:Tin-plated & Gold-plated



- 材料与表面处理 Material and Finish:
Housing:LCP UL94V-0 & Terminal:phosphor bronze & Fitting:Brass; Finish:Tin-plated & Gold-plated



CKT	Part No	DIM A	DIM B
2	WT125CL-02	6.00	4.78
3	WT125CL-03	7.25	6.03
4	WT125CL-04	8.50	7.28
5	WT125CL-05	9.75	8.53
6	WT125CL-06	11.00	9.78
7	WT125CL-07	12.25	11.03
8	WT125CL-08	13.50	12.28
9	WT125CL-09	14.75	13.53
10	WT125CL-10	16.00	14.78
11	WT125CL-11	17.25	16.03
12	WT125CL-12	18.50	17.28
—	— —	—	—
15	WT125CL-15	22.25	21.03

CKT	Part No	DIM A	DIM B
2	WT125CW-02	6.00	4.78
3	WT125CW-03	7.25	6.03
4	WT125CW-04	8.50	7.28
5	WT125CW-05	9.75	8.53
6	WT125CW-06	11.00	9.78
7	WT125CW-07	12.25	11.03
8	WT125CW-08	13.50	12.28
9	WT125CW-09	14.75	13.53
10	WT125CW-10	16.00	14.78
11	WT125CW-11	17.25	16.03
12	WT125CW-12	18.50	17.28
—	— —	—	—
15	WT125CW-15	22.25	21.03

WTB
1.25

WT125C Connector 1.25mm Pitch