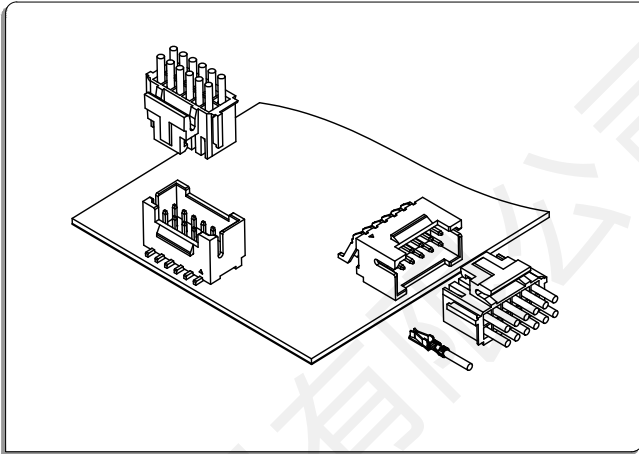


WB200A (PHB) Connector 2.0mm Pitch

WTB
2.0

WB200A (PHB) Connector 2.0mm Pitch

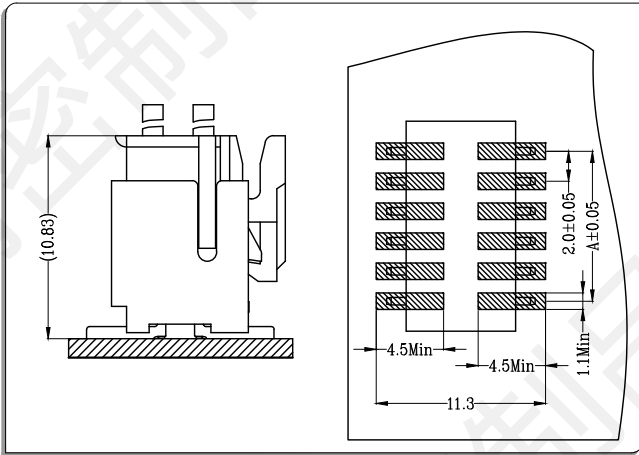


● 技术参数 SPECIFICATIONS

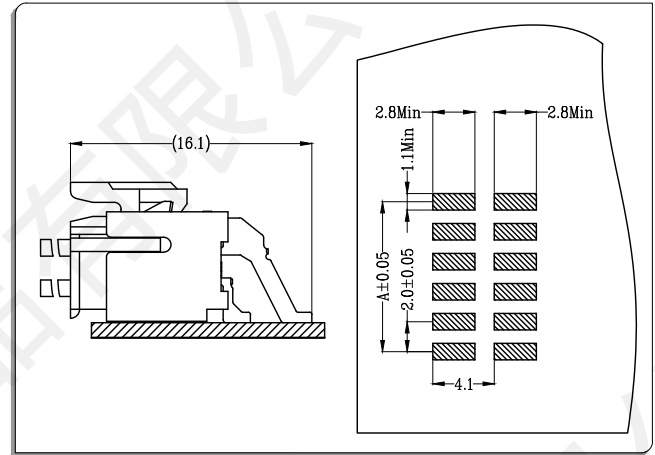
- 1、极数CKT: 2*2Pin to 2*22Pin
- 2、额定电流Current rating: 3A AC/DC
- 3、额定电压Voltage rating(max): 250V, AC/DC
- 4、工作温度Working Temperature: -25°C~+85°C, (含通电温度上升值)
(Including temperature rise in applying electrical current)
- 5、接触电阻Contact resistance: 初始Initial value $\leq 20m\Omega$
环境测试后After environmental testing $\leq 30m\Omega$
- 6、绝缘电阻Insulation resistance: $\geq 1000M\Omega$
- 7、耐电压Withstand voltage: 800VAC(rms)
- 8、适用线规 Applicable wire: AWG #28 to #24
- 9、适用基板厚度Applicable PC board thickness: 1.6mm to 2.0mm

● 安装尺寸 Mounting Measurement

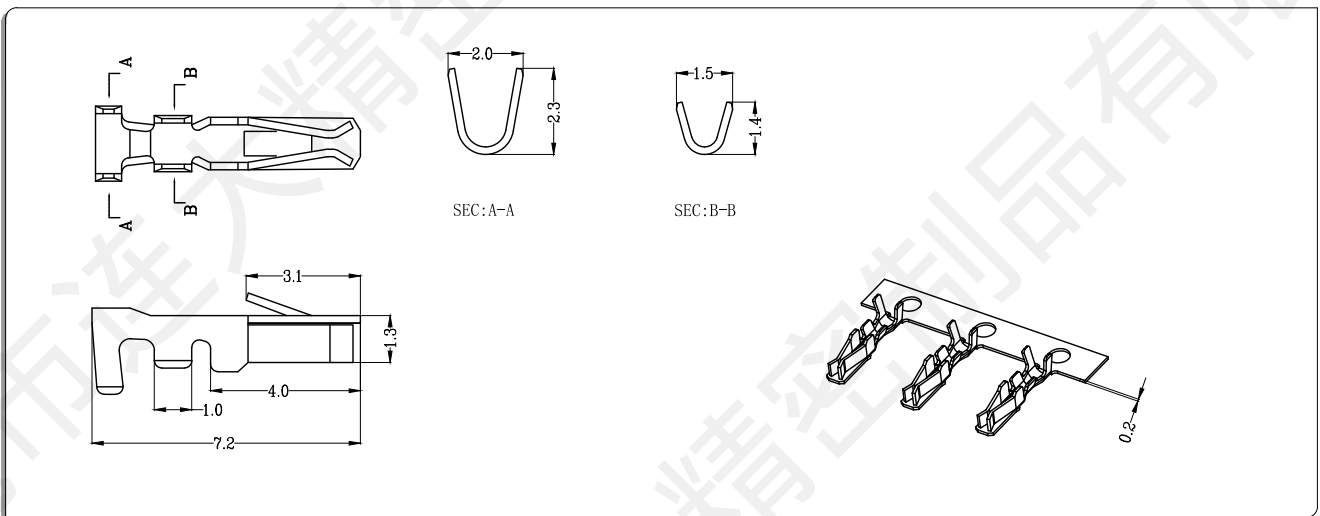
● 立式 Straight Angle



● 卧式 Right Angle



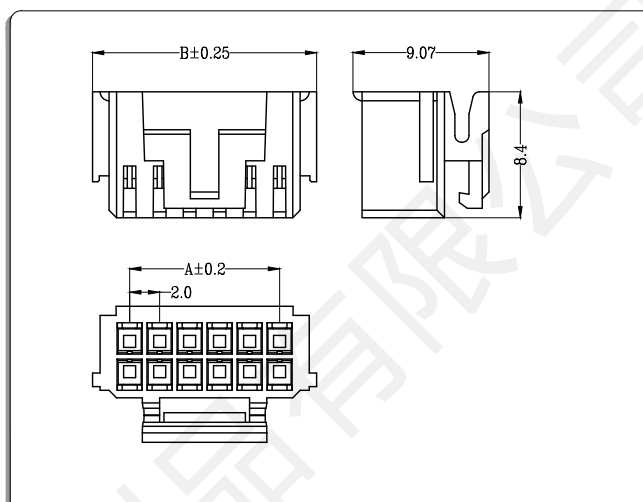
● 端子 Terminal: T=0.2mm



Part No.	Wire Range	Insulation O.D	Material	Finish
WB200A0—T0	AWG#28~#24	1.20mm MAX	phosphor bronze	Tin & Gold-plated

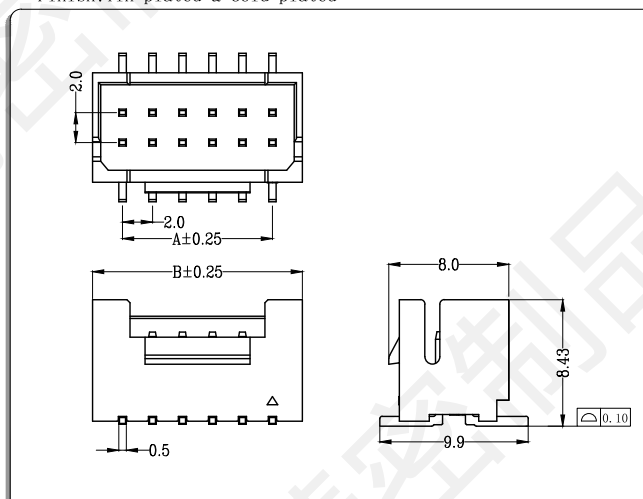
WB200A (PHB) Connector 2.0mm Pitch

- 公头胶壳 Housing
- 材料Material: Nylon 66 UL94V-0



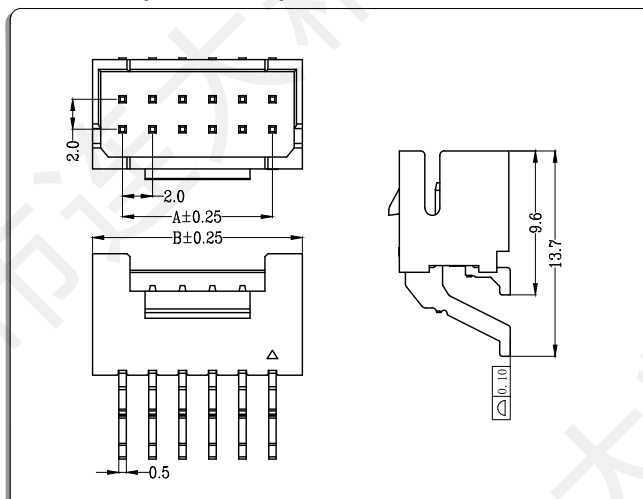
CKT	Part No	DIM A	DIM B
2*2	WB200A0-04	2.00	7.00
2*3	WB200A0-06	4.00	9.00
2*4	WB200A0-08	6.00	11.00
2*5	WB200A0-10	8.00	13.00
2*6	WB200A0-12	10.00	15.00
2*7	WB200A0-14	12.00	17.00
2*8	WB200A0-16	14.00	19.00
2*9	WB200A0-18	16.00	21.00
2*10	WB200A0-20	18.00	23.00
2*11	WB200A0-22	20.00	25.00
2*12	WB200A0-24	22.00	27.00
—	— —	—	—
2*22	WB200A0-44	42.00	47.00

- 针座 Wafer
- 材料与表面处理 Material and Finish:
Housing:LCP UL94V-0 & Terminal:Brass
Finish:Tin-plated & Gold-plated



CKT	Part No	DIM A	DIM B
2*2	WB200AL-04	2.00	6.00
2*3	WB200AL-06	4.00	8.00
2*4	WB200AL-08	6.00	10.00
2*5	WB200AL-10	8.00	12.00
2*6	WB200AL-12	10.00	14.00
2*7	WB200AL-14	12.00	16.00
2*8	WB200AL-16	14.00	18.00
2*9	WB200AL-18	16.00	20.00
2*10	WB200AL-20	18.00	22.00
2*11	WB200AL-22	20.00	24.00
2*12	WB200AL-24	22.00	26.00
—	— —	—	—
2*22	WB200AL-44	42.00	46.00

- 材料与表面处理 Material and Finish:
Housing:LCP UL94V-0 & Terminal:Brass
Finish:Tin-plated & Gold-plated



CKT	Part No	DIM A	DIM B
2*2	WB200AW-04	2.00	6.00
2*3	WB200AW-06	4.00	8.00
2*4	WB200AW-08	6.00	10.00
2*5	WB200AW-10	8.00	12.00
2*6	WB200AW-12	10.00	14.00
2*7	WB200AW-14	12.00	16.00
2*8	WB200AW-16	14.00	18.00
2*9	WB200AW-18	16.00	20.00
2*10	WB200AW-20	18.00	22.00
2*11	WB200AW-22	20.00	24.00
2*12	WB200AW-24	22.00	26.00
—	— —	—	—
2*16	WB200AW-32	30.00	34.00

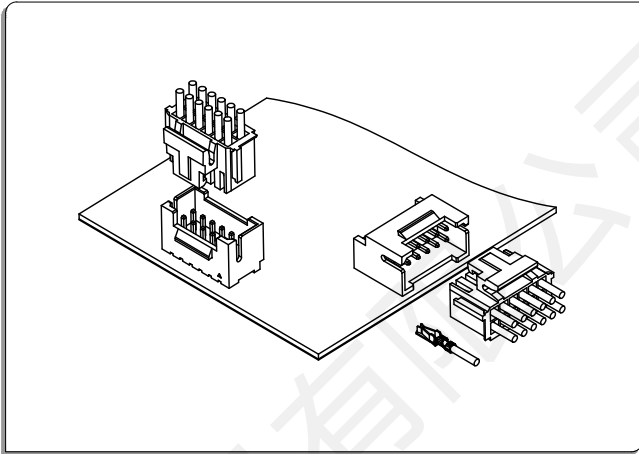
WB
2.0

WB200A (PHB) Connector 2.0mm Pitch

WB200A (PHB) Connector 2.0mm Pitch

WTB
2.0

WB200A (PHB) Connector 2.0mm Pitch

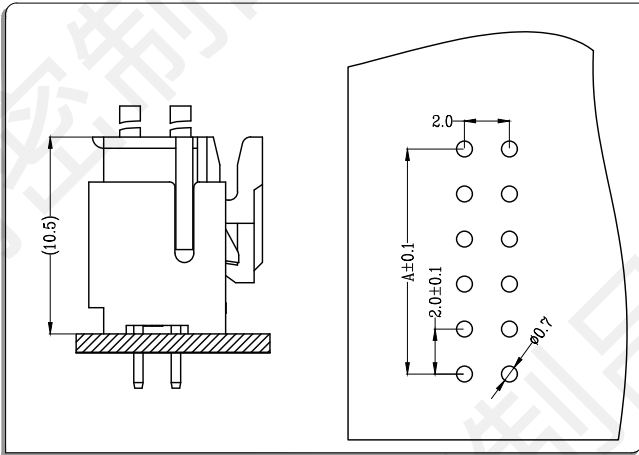


● 技术参数 SPECIFICATIONS

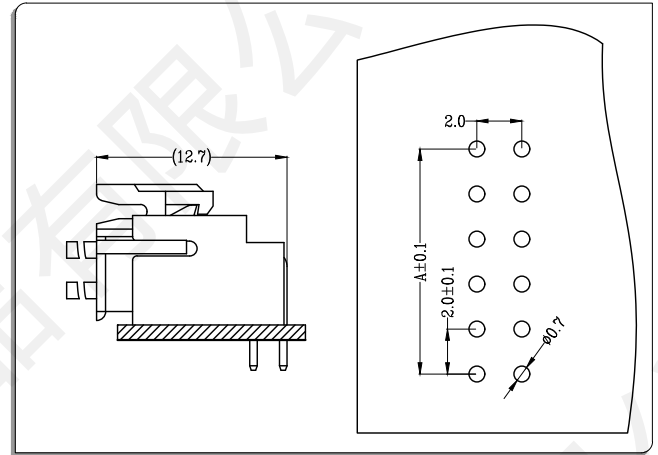
- 1、极数CKT: 2*2Pin to 2*22Pin
- 2、额定电流Current rating: 3A AC/DC
- 3、额定电压Voltage rating(max): 250V, AC/DC
- 4、工作温度Working Temperature: -25°C~+85°C,
(含通电温度上升值)
(Including temperature rise in applying electrical current)
- 5、接触电阻Contact resistance: 初始Initial value $\leq 20m\Omega$
环境测试后After environmental testing $\leq 30m\Omega$
- 6、绝缘电阻Insulation resistance: $\geq 1000M\Omega$
- 7、耐电压Withstand voltage: 800VAC(rms)
- 8、适用线规 Applicable wire: AWG #28 to #24
- 9、适用基板厚度Applicable PC board thickness: 1.6mm to 2.0mm

● 安装尺寸 Mounting Measurement

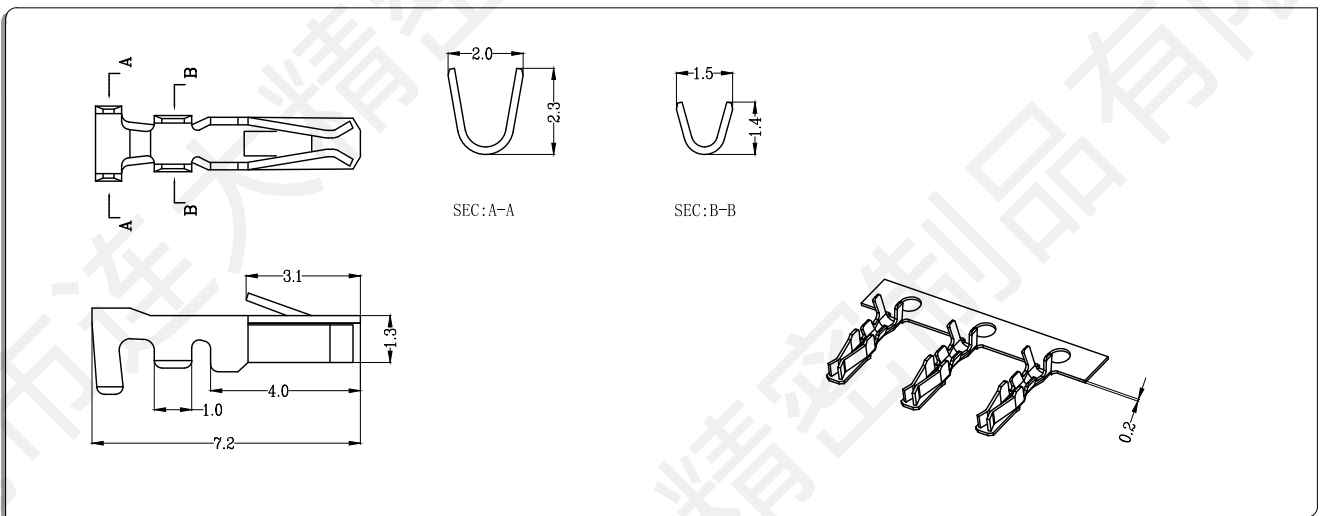
● 立式 Straight Angle



● 卧式 Right Angle



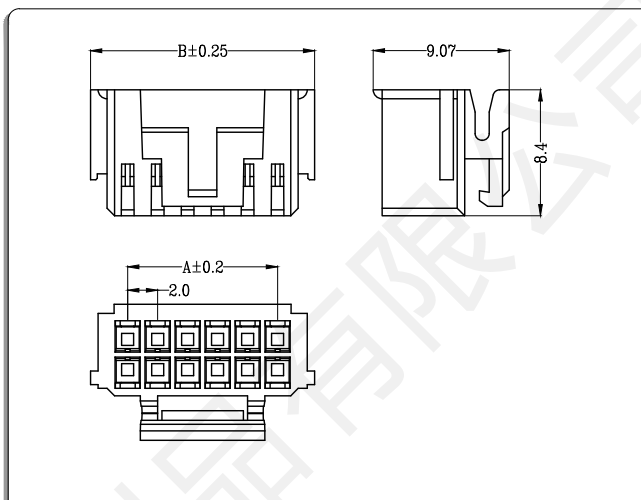
● 端子 Terminal: T=0.2mm



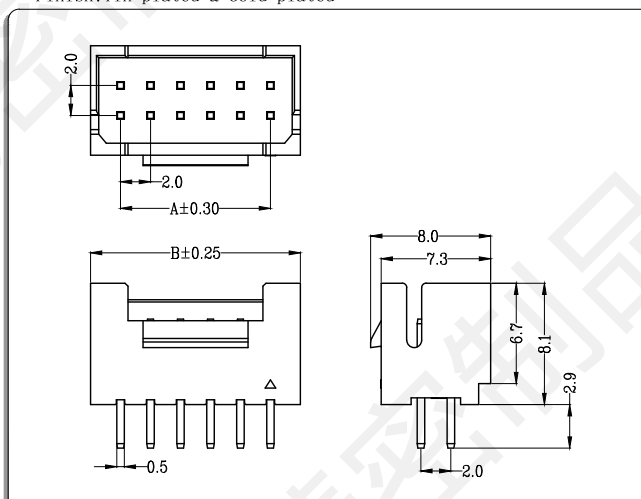
Part No.	Wire Range	Insulation O.D	Material	Finish
WB200A0-T0	AWG#28~#24	1.20mm MAX	phosphor bronze	Tin & Gold-plated

WB200A (PHB) Connector 2.0mm Pitch

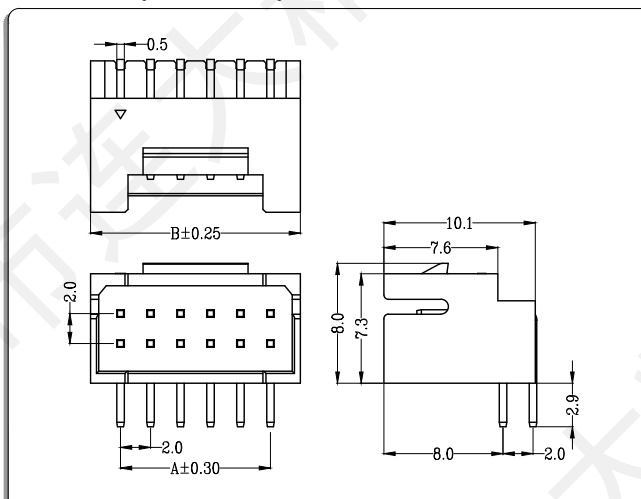
- 公头胶壳 Housing
- 材料Material: Nylon 66 UL94V-0



- 针座 Wafer
- 材料与表面处理 Material and Finish:
Housing:PA46 UL94V-0 & Terminal:Brass
Finish:Tin-plated & Gold-plated



- 材料与表面处理 Material and Finish:
Housing:PA46 UL94V-0 & Terminal:Brass
Finish:Tin-plated & Gold-plated



CKT	Part No	DIM A	DIM B
2*2	WB200A0-04	2.00	7.00
2*3	WB200A0-06	4.00	9.00
2*4	WB200A0-08	6.00	11.00
2*5	WB200A0-10	8.00	13.00
2*6	WB200A0-12	10.00	15.00
2*7	WB200A0-14	12.00	17.00
2*8	WB200A0-16	14.00	19.00
2*9	WB200A0-18	16.00	21.00
2*10	WB200A0-20	18.00	23.00
2*11	WB200A0-22	20.00	25.00
2*12	WB200A0-24	22.00	27.00
—	— — —	—	—
2*22	WB200A0-44	42.00	47.00

CKT	Part No	DIM A	DIM B
2*2	WB200AL-04	2.00	6.00
2*3	WB200AL-06	4.00	8.00
2*4	WB200AL-08	6.00	10.00
2*5	WB200AL-10	8.00	12.00
2*6	WB200AL-12	10.00	14.00
2*7	WB200AL-14	12.00	16.00
2*8	WB200AL-16	14.00	18.00
2*9	WB200AL-18	16.00	20.00
2*10	WB200AL-20	18.00	22.00
2*11	WB200AL-22	20.00	24.00
2*12	WB200AL-24	22.00	26.00
—	— — —	—	—
2*22	WB200AL-44	42.00	46.00

CKT	Part No	DIM A	DIM B
2*2	WB200AW-04	2.00	6.00
2*3	WB200AW-06	4.00	8.00
2*4	WB200AW-08	6.00	10.00
2*5	WB200AW-10	8.00	12.00
2*6	WB200AW-12	10.00	14.00
2*7	WB200AW-14	12.00	16.00
2*8	WB200AW-16	14.00	18.00
2*9	WB200AW-18	16.00	20.00
2*10	WB200AW-20	18.00	22.00
2*11	WB200AW-22	20.00	24.00
2*12	WB200AW-24	22.00	26.00
—	— — —	—	—
2*22	WB200AW-44	42.00	46.00

WB
2.0

WB200A (PHB) Connector 2.0mm Pitch