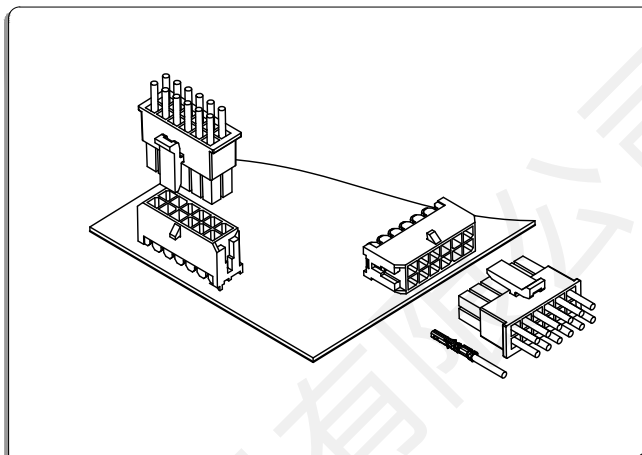


WB5557 (MX) Connector 3.0mm Pitch (大电流紫铜)

WTB
3.0

WB5557 (MX) Connector 3.0mm Pitch (大电流紫铜)

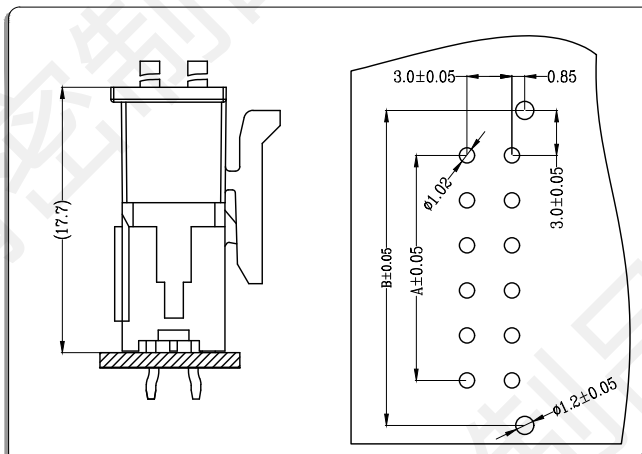


● 技术参数 SPECIFICATIONS

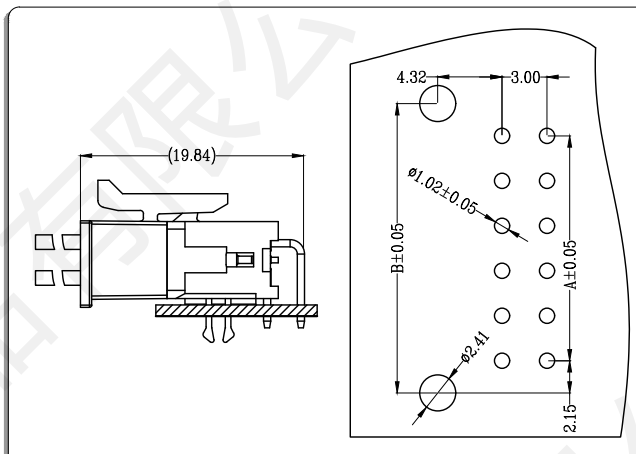
- 1、极数CKT: 2*1Pin to 2*12Pin
- 2、额定电流Current rating: 12.5A AC/DC
- 3、额定电压Voltage rating(max): 250V, AC/DC
- 4、工作温度Working Temperature: -25°C~+85°C, (含通电温度上升值)
(Including temperature rise in applying electrical current)
- 5、接触电阻Contact resistance: 初始Initial value $\leq 20\text{m}\Omega$
环境测试后After environmental testing $\leq 30\text{m}\Omega$
- 6、绝缘电阻Insulation resistance: $\geq 1000\text{M}\Omega$
- 7、耐电压Withstand voltage: 1500VAC(rms)
- 8、适用线规 Applicable wire: AWG #24 to #20
- 9、适用基板厚度Applicable PC board thickness: 1.6mm to 2.0mm

● 安装尺寸 Mounting Measurement

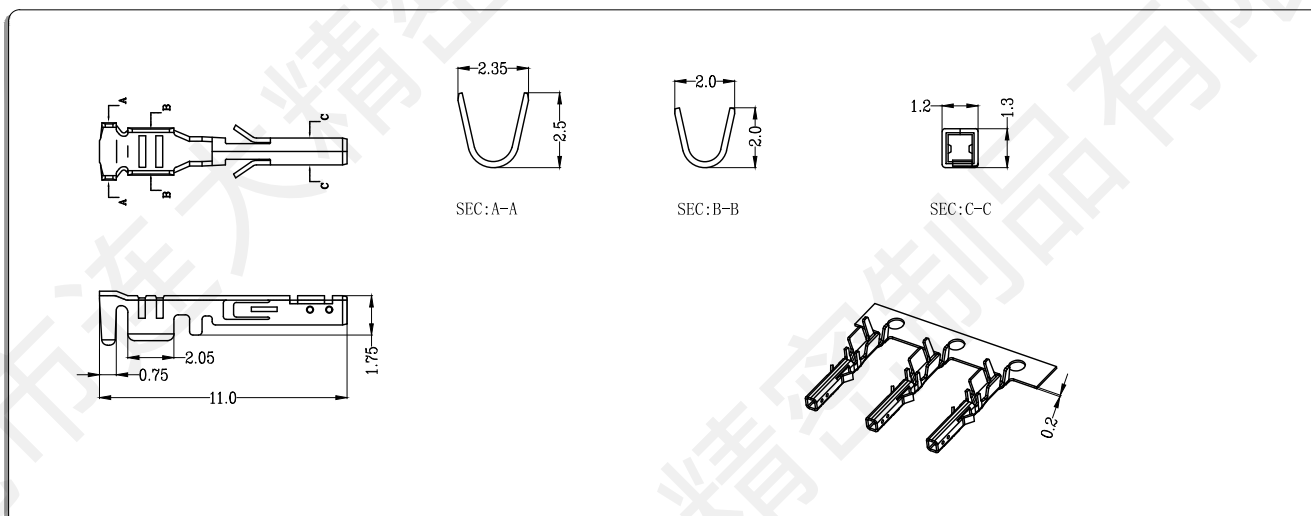
● 立式 Straight Angle



● 卧式 Right Angle



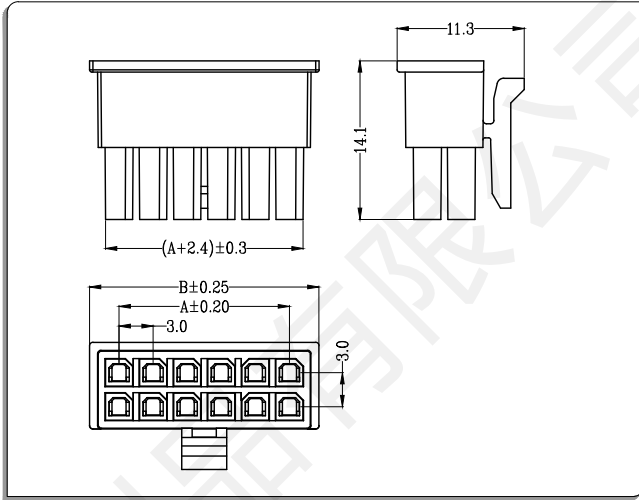
● 端子 Terminal: T=0.2mm



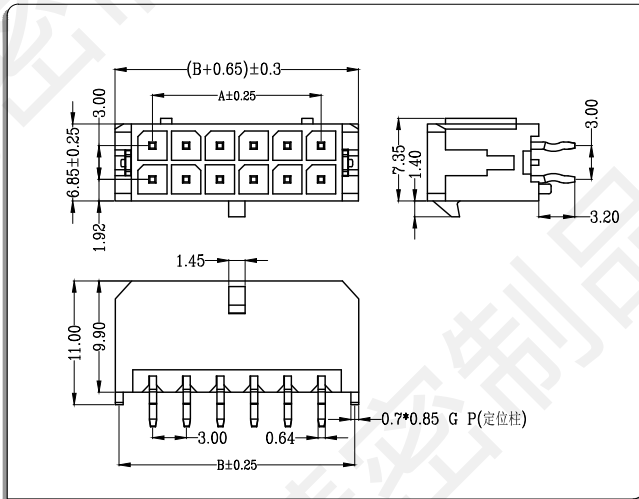
Part No.	Wire Range	Insulation O.D	Material	Finish
WB43025—T0	AWG#20~#24	1.90mm MAX	phosphor bronze	Tin & Gold-plated

WB5557 (MX) Connector 3.0mm Pitch (大电流紫铜)

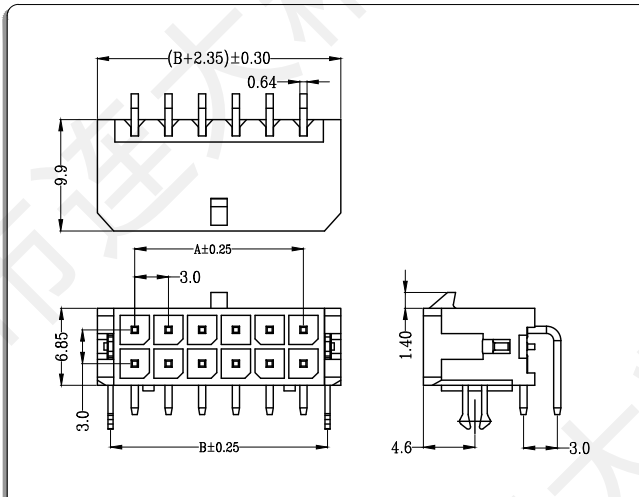
- 公头胶壳 Housing
- 材料Material: Nylon 66 UL94V-0



- 针座 Wafer
- 材料与表面处理 Material and Finish:
Housing:LCP UL94V-0 & Terminal:Red Copper
Finish: Tin-plated & Gold-plated



- 材料与表面处理 Material and Finish:
Housing:LCP UL94V-0 & Terminal:Red Copper
Fitting:Brass; Finish: Tin-plated & Gold-plated



CKT	Part No	DIM A	DIM B
2*1	WB43025-02		5.20
2*2	WB43025-04	3.00	8.20
2*3	WB43025-06	6.00	11.20
2*4	WB43025-08	9.00	14.20
2*5	WB43025-10	12.00	17.20
2*6	WB43025-12	15.00	20.20
2*7	WB43025-14	18.00	23.20
2*8	WB43025-16	21.00	26.20
2*9	WB43025-18	24.00	29.20
2*10	WB43025-20	27.00	32.20
2*11	WB43025-22	30.00	35.20
2*12	WB43025-24	33.00	38.20

CKT	Part No	DIM A	DIM B
2*1	WB5557L-02		6.00
2*2	WB5557L-04	3.00	9.00
2*3	WB5557L-06	6.00	12.00
2*4	WB5557L-08	9.00	15.00
2*5	WB5557L-10	12.00	18.00
2*6	WB5557L-12	15.00	21.00
2*7	WB5557L-14	18.00	24.00
2*8	WB5557L-16	21.00	27.00
2*9	WB5557L-18	24.00	30.00
2*10	WB5557L-20	27.00	33.00
2*11	WB5557L-22	30.00	36.00
2*12	WB5557L-24	33.00	39.00

CKT	Part No	DIM A	DIM B
2*1	WB5557W-02		4.30
2*2	WB5557W-04	3.00	7.30
2*3	WB5557W-06	6.00	10.30
2*4	WB5557W-08	9.00	13.30
2*5	WB5557W-10	12.00	16.30
2*6	WB5557W-12	15.00	19.30
2*7	WB5557W-14	18.00	22.30
2*8	WB5557W-16	21.00	25.30
2*9	WB5557W-18	24.00	28.30
2*10	WB5557W-20	27.00	31.30
2*11	WB5557W-22	30.00	34.30
2*12	WB5557W-24	33.00	37.30

WTB
3.0

WB5557 (MX) Connector 3.0mm Pitch (大电流紫铜)